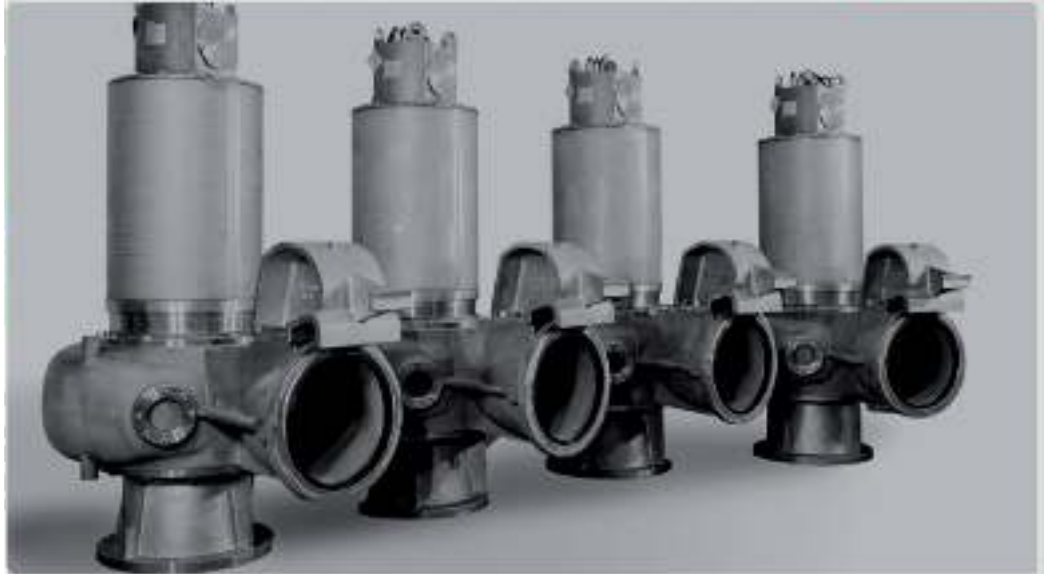




Applications:

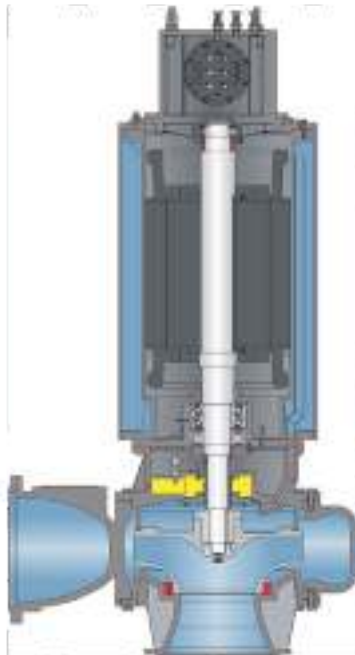
- Water supply
- Waste water treatment
- Storm water pumping
- Desalination



The SP series consists of submersible pumps and motors designed for applications as sewage, drainage, storm water or solid containing liquids, in a wide range of product ranges. The SE pump is a mono cellular design with a multi-channel impeller design. The submersible electric motor is directly coupled to the pump. They are designed to operate in harsh conditions for municipalities and industrial applications or also for salt water intake systems. All parts of the pump and the motor are designed and manufactured by MARTINS ENGINEERING..

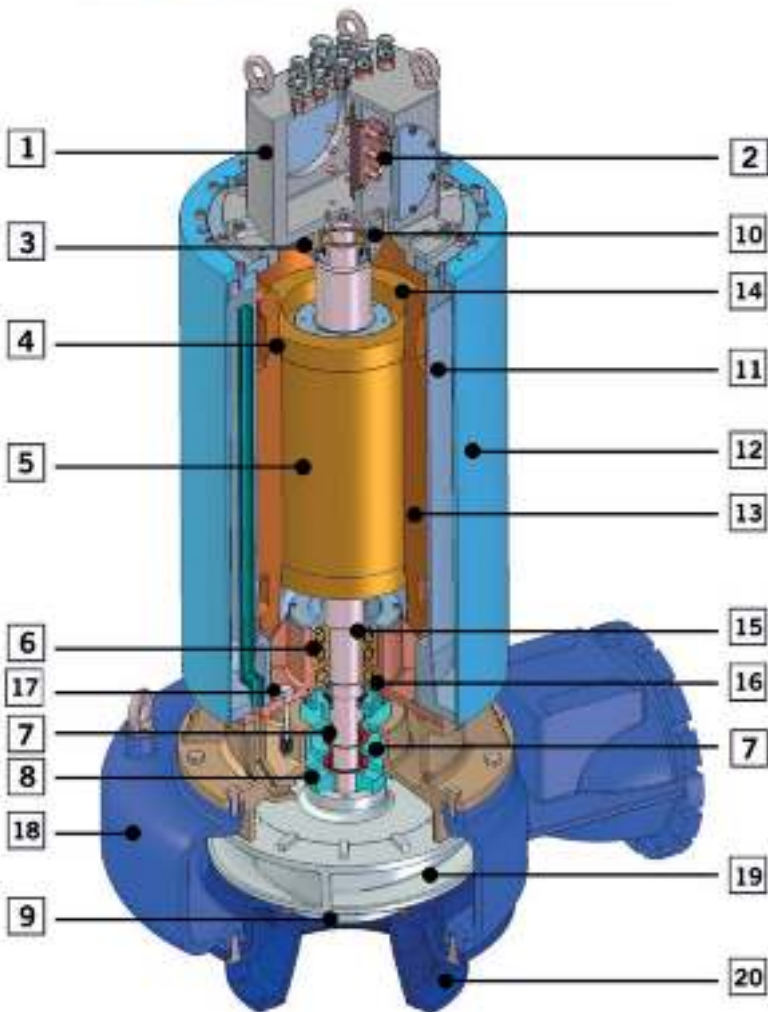
An efficient cooling system of the motor ensures the unit to work continuously even under severe environmental conditions, regardless of whether the pump is submerged or not. The impellers are designed to guarantee a wide and free passage of the pumping fluids and prevent clogging. Depending of the application and the quality of the pumping liquid, the impeller can be either a closed or open type impeller with one, two or more channels. The wide installation options, along with a wide range of construction materials, makes SE pumps a highly-versatile product that provides perfect solutions to an infinite range of applications.

Features	Ranges
Flow	702 m ³ /h - 10000 m ³ /h
Head	3 m - 100 m
Power	50 kW - 1200 kW (larger customized motors upon request)
Voltage	380 V - 13800 V
Speed	485 rpm - 1750 rpm
Materials	Cast iron, stainless steel (316, 904L, Duplex, Super Duplex)
Type of installation	Installation in wet wells (quick coupling device) and in dry pits



Installation options	Range of materials
<ul style="list-style-type: none"> -Installation in wet wells, with quick coupling device. -Dry pit installation. 	Iron Stainless steel: 304 316 904L Duplex
Upon the characteristics of pumping fluid, the SE pumps are built in various materials which make the pump highly-resistant against abrasion and corrosion. All units are equipped with high-quality mechanical seals to ensure the electrical motor to be protected.	

The SE Pump is a robust, safe, flexible solution with a modular design offering a wide range of flow rates and discharge pressures.



Part list
1. Cable outlet lid
2. Terminal tablet
3. Upper bearing temperature sensor
4. Windings thermal protection
5. Rotor
6. Bearings
7. Mechanical seals
8. Oil chamber
9. Wearing ring
10. Bearings
11. Stator casing
12. Cooling jacket
13. Stator
14. Coil heads
15. Common shaft for impeller and rotor
16. Lower bearing temperature sensor
17. Level sensor
18. Pump bowl
19. Impeller
20. Suction bellmouth

The technical data in this catalogue is subject to change without prior notice.